

Receiver
From

 Society
 Reference
 Address
 Phone
 Fax
 E-mail

Item n° :

60141604

Model :

GRINDER 1000 M-A

Pump data

 Free passage : 5 mm
 Pressure rating :
 Min. fluid temperature : 0 °C
 Max. fluid temperature : 40 °C
 Max. Ambient temperature :

Requested data

 Flow : 0 m³/h
 Head : 0 m
 Fluid : Water
 Fluid Temperature : 20 °C
 Density : 0.99819 kg/dm³
 Kinematic viscosity : 1.0004 mm²/s
 Vapor pressure : 2.2045 kPa

Hydraulic data (duty point)

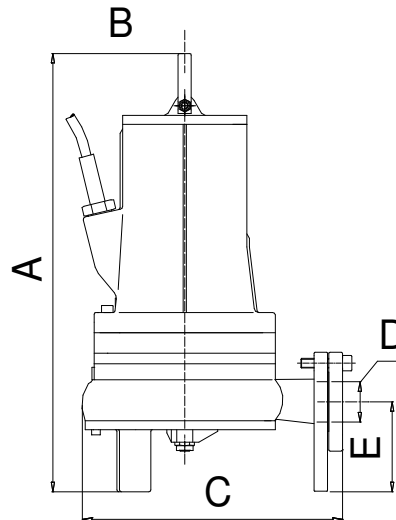
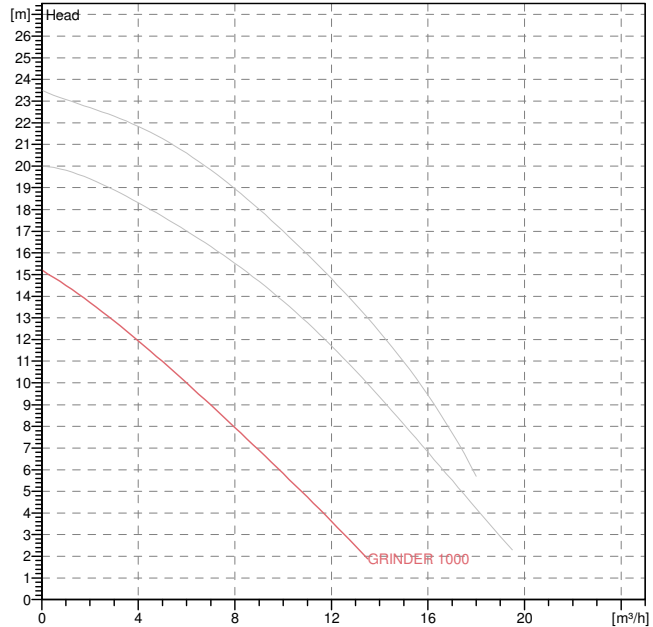
 Flow :
 Head :

Materials

 Cover : Cast iron (EN GJL 200)
 Impeller : Cast iron (EN GJL 200)
 Pump body : Cast iron (EN GJL 200)
 Mechanical seal motor side : Carbon/Alumina
 Mechanical seal pump side : Carbon/Alumina
 Motor body : Cast iron (EN GJL 200)
 Grinder : Stainless Steel AISI 440C

Motor data

 Motor brand : DAB
 Nominal power P2 : 1 kW
 Rated speed : 2900 1/min
 Rated voltage : 1~ 220-240 V 50 Hz
 Nominal current : 8 A
 Degree of protection : IP 68

Curve tolerance according to ISO 9906

Weight : 38 kg

Dimensions in mm

Dimension	Value				
A	445				
B	145				
C	270				
D	2" G				
E	110				

Pump connection

 Suction side : /
 Discharge side : 2" G / 10 bar (1000 KPa)



PERFORMANCE CURVES

2017-09-05

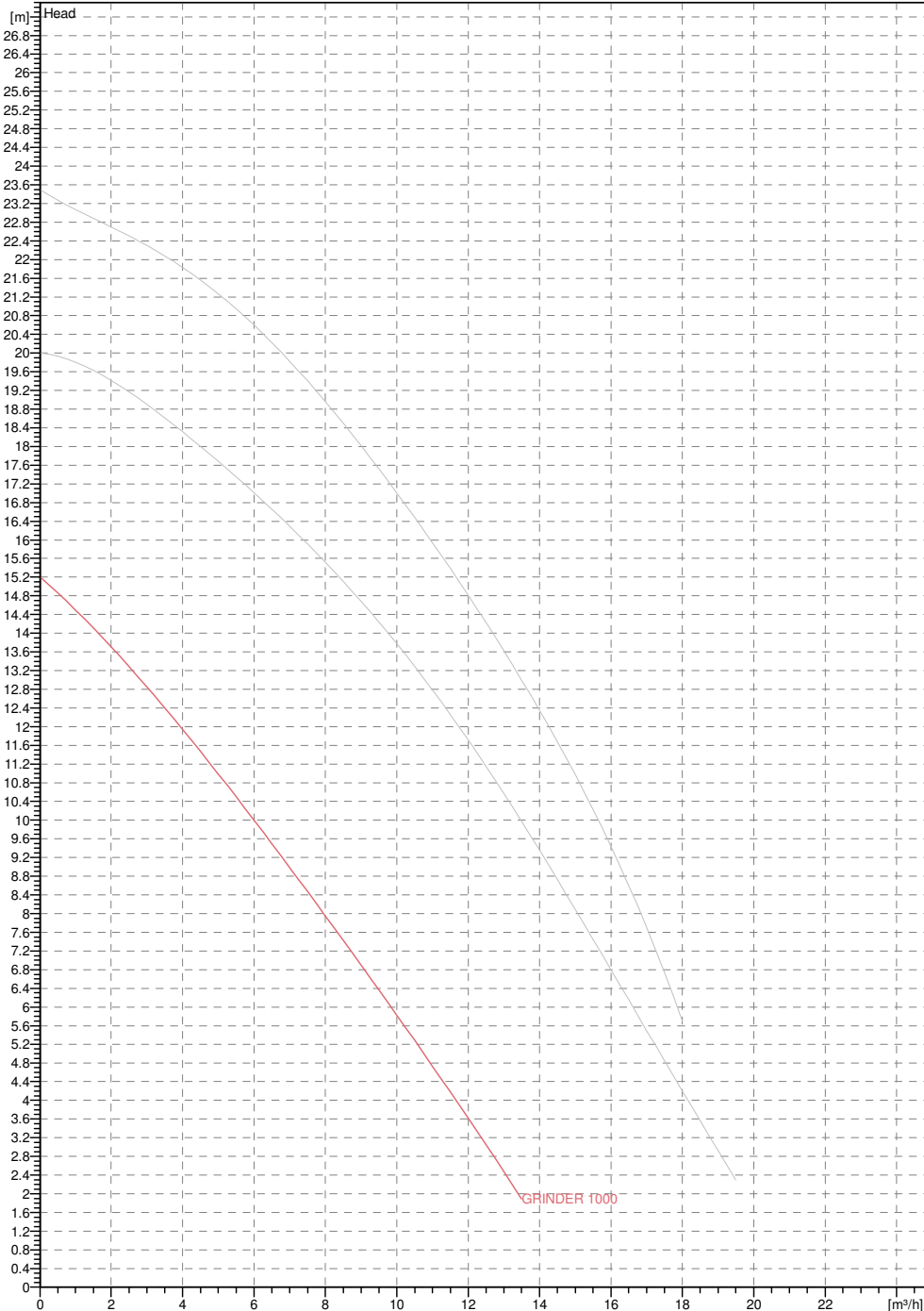
Page 2 / 3

DAB PUMPS S.p.A.
Via Marco Polo, 14 - 35035 Mestrino (PD), Italy
Tel. +39 049 5125000 - Fax +39 049 5125950
www.dabpumps.com

Society Reference Address Phone Fax E-mail	Receiver	From
---	----------	------

GRINDER 1000 M-A

Curve tolerance according to ISO 9906



Hydraulic data (duty point)

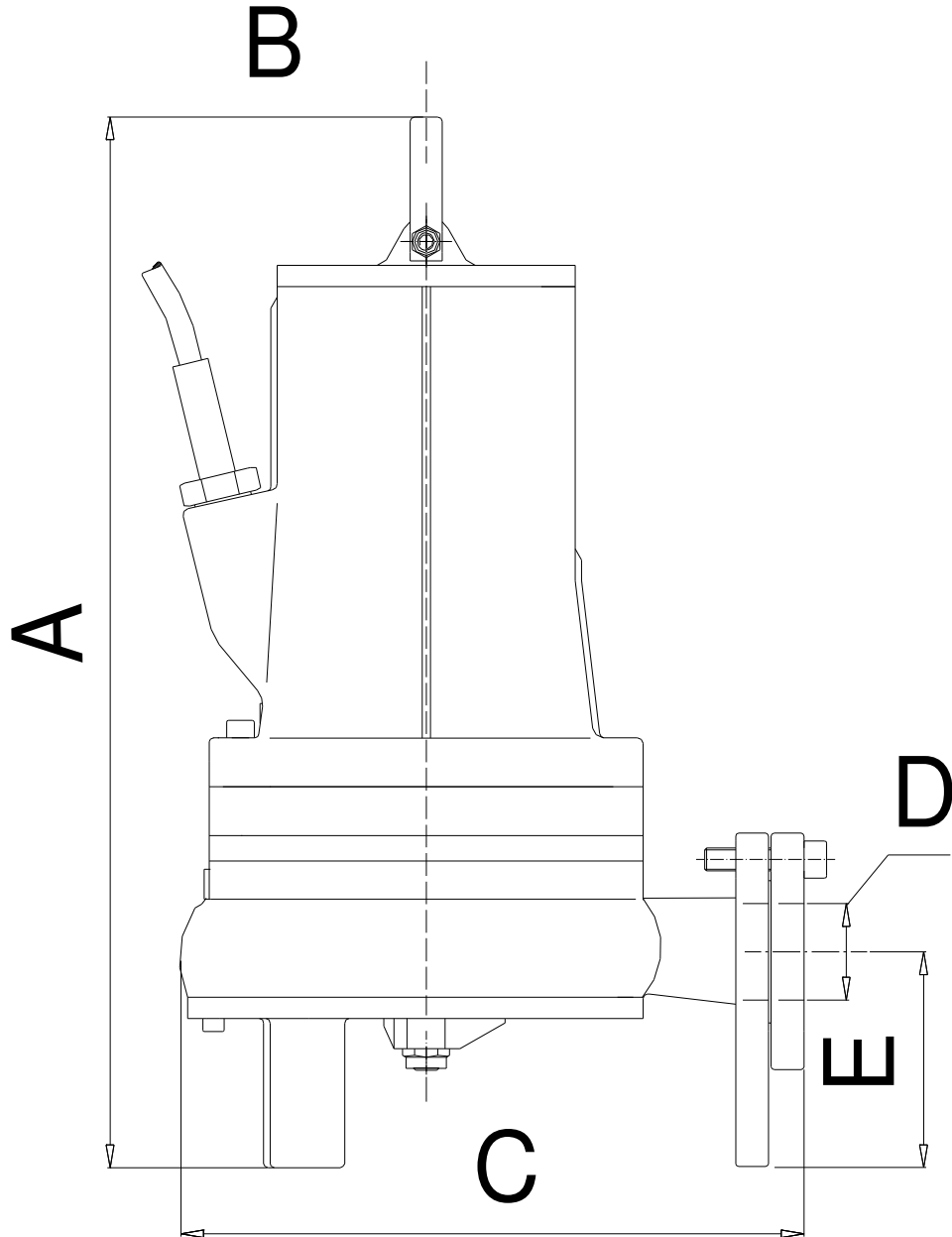
Suction side :	Discharge side : 2" G 10 bar (1000 KPa)	Flow : 0 m³/h	Head : 0 m	Rated speed : 2900 1/min
Project	Project ID	Created by	Created on 2017-09-05	

Receiver

From

Society
Reference
Address
Phone
Fax
E-mail

GRINDER 1000 M-A



Dimensions in mm

1	A	445				
2	B	145				
3	C	270				
4	D	2" G				
5	E	110				

Pump connection

Suction

Discharge
2" G
10 bar (1000 KPa)

Project

Project ID

Created by

Created on

2017-09-05